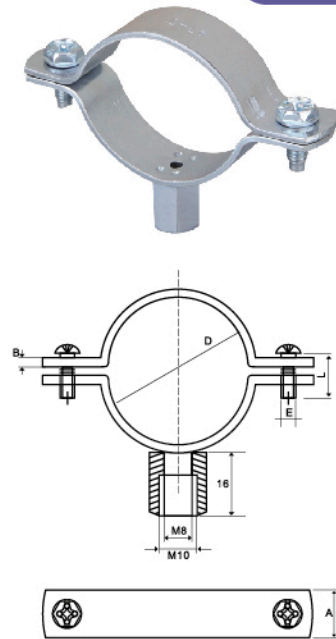


Welding Type Clamps M8+10 Without Rubber

- Material: iron sheet
- Both closed

ITEM NO: CLR001



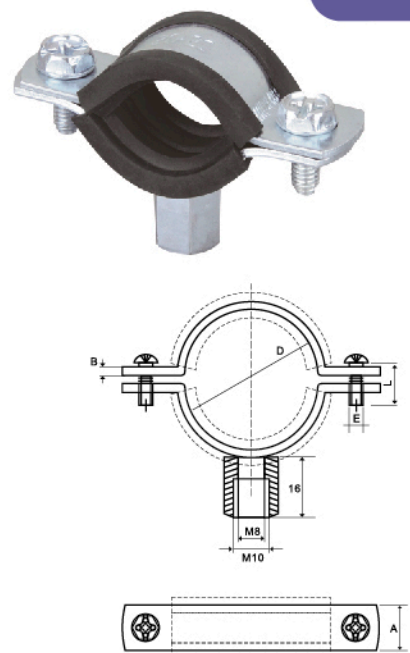
Ø(mm)	D(mm)	INCH	AXB(mm)
18	15-19	3/8"	20X(1.8~2.0)
22	20-25	1/2"	20X(1.8~2.0)
28	26-30	3/4"	20X(1.8~2.0)
35	32-36	1"	20X(1.8~2.0)
40	38-43	1 1/4"	20X(1.8~2.0)
48	47-51	1 1/2"	20X(1.8~2.0)
54	53-58		20X(1.8~2.0)
60	60-64	2"	20X(1.8~2.0)
70	68-72		20X(1.8~2.0)
75	75-80	2 1/2"	20X(1.8~2.0)
83	80-86		20X(1.8~2.0)
90	87-92	3"	20X(1.8~2.0)
100	99-105	3 1/2"	20X(1.8~2.0)
110	107-112		20X(1.8~2.0)
115	113-118	4"	20X(1.8~2.0)
125	125-130		20X(1.8~2.0)
133	132-137		20X(1.8~2.0)
140	136-142	5"	20X(1.8~2.0)
160	159-166	6"	20X(1.8~2.0)
200	200-212		20X(1.8~2.0)

D	EXL
18-75	M6X15
83-200	M6X20

Welding Type Clamps M8+10 With Rubber

- Material: iron sheet
- The rubber thickness: 4.0mm
- Both closed

ITEM NO: CLR002



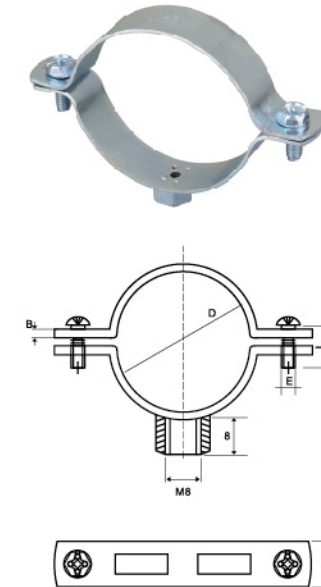
Ø(mm)	D(mm)	INCH	AXB(mm)
18	15-19	3/8"	20X(1.8~2.0)
22	20-25	1/2"	20X(1.8~2.0)
28	26-30	3/4"	20X(1.8~2.0)
35	32-36	1"	20X(1.8~2.0)
40	38-43	1 1/4"	20X(1.8~2.0)
48	47-51	1 1/2"	20X(1.8~2.0)
54	53-58		20X(1.8~2.0)
60	60-64	2"	20X(1.8~2.0)
70	68-72		20X(1.8~2.0)
75	75-80	2 1/2"	20X(1.8~2.0)
83	80-86		20X(1.8~2.0)
90	87-92	3"	20X(1.8~2.0)
100	99-105	3 1/2"	20X(1.8~2.0)
110	107-112		20X(1.8~2.0)
115	113-118	4"	20X(1.8~2.0)
125	125-130		20X(1.8~2.0)
133	132-137		20X(1.8~2.0)
140	136-142	5"	20X(1.8~2.0)
160	159-166	6"	20X(1.8~2.0)
200	200-212		20X(1.8~2.0)

D	EXL
18-75	M6X15
83-200	M6X20

Welding Type Clamps M8 Without Rubber

- Material: iron sheet
- Both closed
- Dia of the middle nut is M8
- Ø18-70: The surface is flat
- Ø75-200: The surface has a bone

ITEM NO: CLR003



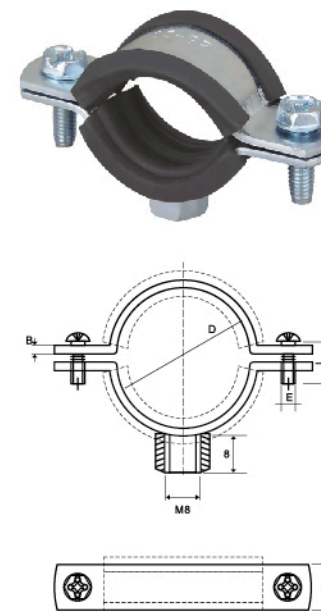
Ø(mm)	D(mm)	INCH	AXB(mm)
18	15-19	3/8"	20X(1.3~1.5)
22	20-25	1/2"	20X(1.3~1.5)
28	26-30	3/4"	20X(1.3~1.5)
35	32-36	1"	20X(1.3~1.5)
40	38-43	1 1/4"	20X(1.3~1.5)
48	47-51	1 1/2"	20X(1.3~1.5)
54	53-58		20X(1.3~1.5)
60	60-64	2"	20X(1.3~1.5)
70	68-72		20X(1.3~1.5)
75	75-80	2 1/2"	20X(1.3~1.5)
83	80-86		20X(1.3~1.5)
90	87-92	3"	20X(1.3~1.5)
100	99-105	3 1/2"	20X(1.3~1.5)
110	107-112		20X(1.3~1.5)
115	113-118	4"	20X(1.3~1.5)
125	125-130		20X(1.3~1.5)
133	132-137		20X(1.3~1.5)
140	136-142	5"	20X(1.3~1.5)
160	159-166	6"	20X(1.3~1.5)
200	200-212		20X(1.3~1.5)

D	EXL
18-75	M6X15
83-200	M6X20

Welding Type Clamps M8 With Rubber

- Material: iron sheet
- Rubber thickness: 4mm
- Both closed
- The dia of the middle nut is M8
- Ø18-70: The surface is flat
- Ø75-200: The surface has a bone

ITEM NO: CLR004



Ø(mm)	D(mm)	INCH	AXB(mm)
18	15-19	3/8"	20X(1.3~1.5)
22	20-25	1/2"	20X(1.3~1.5)
28	26-30	3/4"	20X(1.3~1.5)
35	32-36	1"	20X(1.3~1.5)
40	38-43	1 1/4"	20X(1.3~1.5)
48	47-51	1 1/2"	20X(1.3~1.5)
54	53-58		20X(1.3~1.5)
60	60-64	2"	20X(1.3~1.5)
70	68-72		20X(1.3~1.5)
75	75-80	2 1/2"	20X(1.3~1.5)
83	80-86		20X(1.3~1.5)
90	87-92	3"	20X(1.3~1.5)
100	99-105	3 1/2"	20X(1.3~1.5)
110	107-112		20X(1.3~1.5)
115	113-118	4"	20X(1.3~1.5)
125	125-130		20X(1.3~1.5)
133	132-137		20X(1.3~1.5)
140	136-142	5"	20X(1.3~1.5)
160	159-166	6"	20X(1.3~1.5)
200	200-212		20X(1.3~1.5)

D	EXL
18-75	M6X15
83-200	M6X20